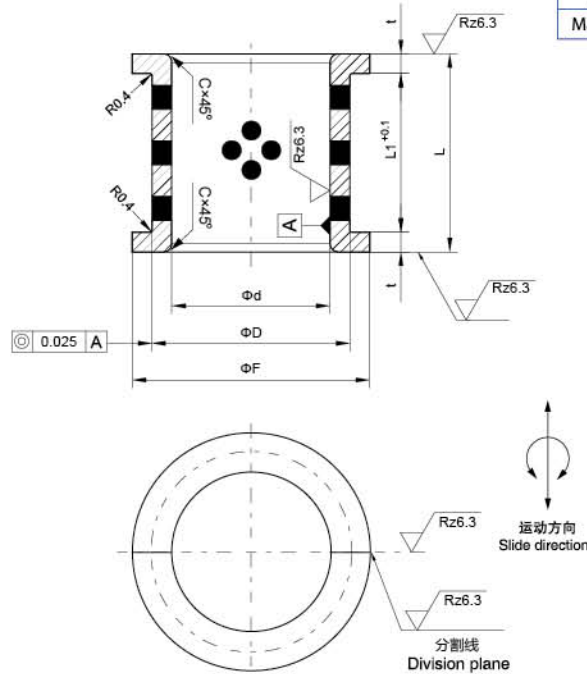


HKB-JFFB 自润滑轴瓦
HKB-JFFB Half-Bearing



材质	高力黄铜 + 固体润滑剂
Material	650#+Graphite

单位Unit: mm

产品代号 Part No.	I.D. ϕd 内径 H7	O.D. ϕD 外径		ϕF d11	L h12	$L1 + 0.1$ o	t	C
HKB-JFFB-030	30	38	s6	48	34	22	6	1
HKB-JFFB-035	35	45	"	55	45	32	6.5	"
HKB-JFFB-040	40	50	"	60	50	35	7.5	"
HKB-JFFB-045	45	55	"	65	55	40	7.5	"
HKB-JFFB-050	50	60	"	70	60	45	7.5	"
HKB-JFFB-060	60	70	"	80	70	50	10	2
HKB-JFFB-070	70	85	"	95	80	60	10	"
HKB-JFFB-080	80	95	"	110	95	70	12.5	"
HKB-JFFB-090	90	105	"	120	105	80	12.5	"
HKB-JFFB-100	100	115	"	130	115	90	12.5	"
HKB-JFFB-110	110	125	r6	140	125	100	12.5	"
HKB-JFFB-120	120	135	"	150	140	110	15	"
HKB-JFFB-140	140	160	"	175	160	120	20	"
HKB-JFFB-160	160	180	"	200	180	140	20	"